

CORONARY GUIDE CATHETER

# SheathLess

E a u c a t h

# Transradial Procedures Without Limits

CORONARY GUIDE CATHETER

SheathLess  
E a u c a t h

Asahi's proprietary Sheathless Technology allows you to perform a full range of procedures – from the simplest to the most complex – via the radial approach.

## Features

### ■ Sheathless Technology = More Choices

Large inner lumen expands treatment options with all the benefits of TRI.

### ■ Hydrophilic Coating

Designed to ease catheter insertion, manipulation, and reduce the incidence of spasm.

### ■ ASAHI Braiding

Two unique braiding patterns provide optimal torque, kink resistance, flexibility, and support.

6.5Fr : 0.070"  
7.5Fr : 0.081"



PTFE Liner

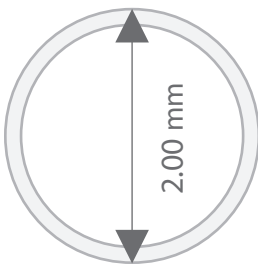
Stainless Steel Braiding

Hydrophilic Coating

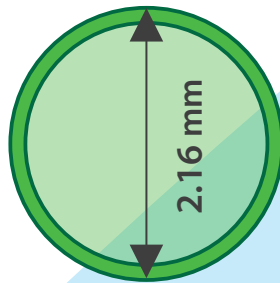
# Smaller Punctures for Larger Catheters

Good for the patient, good for the physician

The outer diameter of a SheathLess Eaucath is similar to the diameter of an introducer sheath 2.5 Fr. smaller.

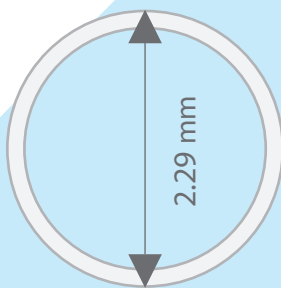


4Fr  
Sheath

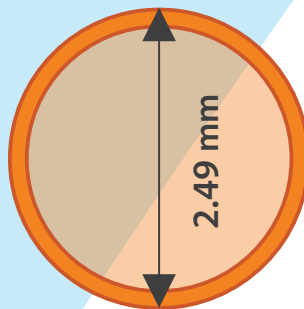


6.5Fr  
SheathLess  
Eaucath

The OD of the 6.5Fr SheathLess Eaucath is 2.16mm, similar to the OD of the 4Fr sheath at 2.00mm.



5Fr  
Sheath

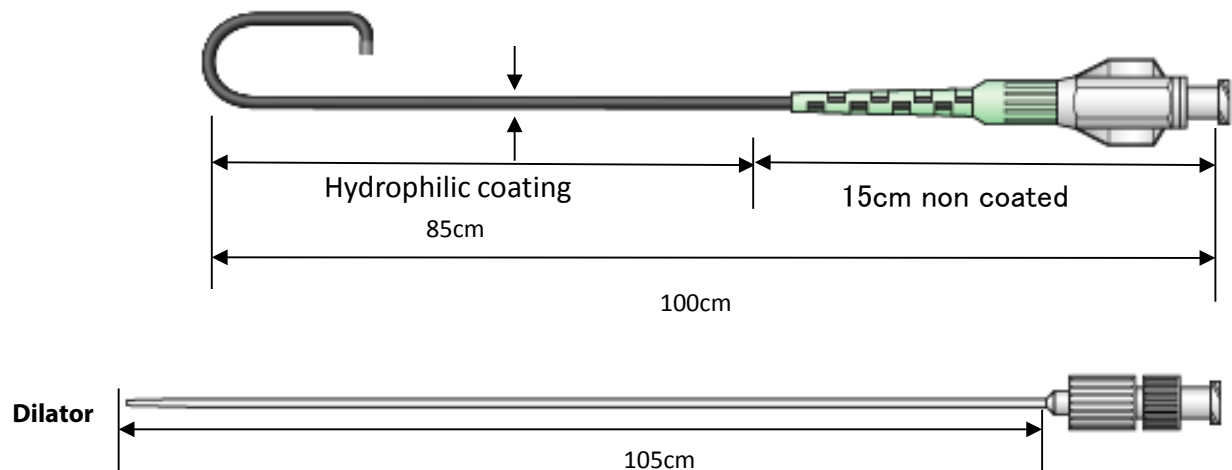


7.5Fr  
SheathLess  
Eaucath

The OD of the 7.5Fr SheathLess Eaucath is 2.49mm, similar to the OD of the 5Fr sheath at 2.29mm.

# Ordering Information

Product	Catalog No. 6.5Fr	Catalog No. 7.5Fr	Shape Code	Length (cm)
Judkins Left	G6JL35-0-L100	G7JL35-0-L100	JL3.5	100
	G6JL40-0-L100	G7JL40-0-L100	JL4.0	100
	G6JL35-0-L100S	G7JL35-0-L100S	JL3.5 ST	100
	G6JL40-0-L100S		JL4.0 ST	100
Judkins Right	G6JR35-0-L100	G7JR35-0-L100	JR3.5	100
	G6JR40-0-L100	G7JR40-0-L100	JR4.0	100
	G6JR50-0-L100	G7JR50-0-L100	JR5.0	100
	G6JR40-0-L100S	G7JR40-0-L100S	JR4.0 ST	100
Amplatz Left	G6AL07-0-L100	G7AL07-0-L100	AL0.75	100
	G6AL10-0-L100	G7AL10-0-L100	AL1.0	100
	G6AL10-0-L100S	G7AL10-0-L100S	AL1.0 ST	100
Power Backup	G6PB30-0-L100	G7PB30-0-L100	PB3.0	100
	G6PB35-0-L100	G7PB35-0-L100	PB3.5	100
	G6PB40-0-L100	G7PB40-0-L100	PB4.0	100
Multipurpose	G6MP10-0-L100	G7MP10-0-L100	MP1.0	100



**ASAHI INTECC USA, INC.**

2500 Red Hill Avenue, Suite 210, Santa Ana, CA 92705

Toll-Free 855-286-9473

[www.asahi-inteccusa-medical.com](http://www.asahi-inteccusa-medical.com)